

Kenwood SM-32 SM-33 SM-34



For Kenwood Models :

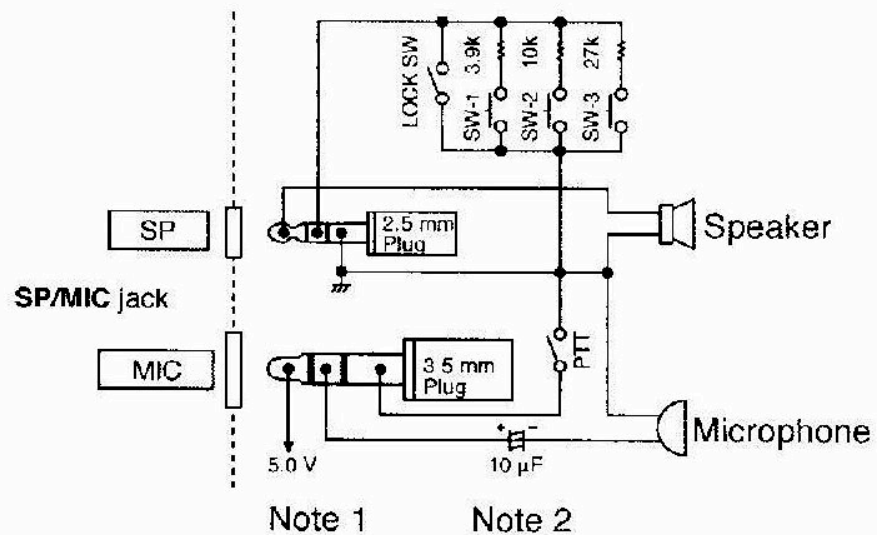
THK2A-K2E-K2AT-K4AT

SP/MIC JACK

The **SP/MIC** jack on the transceiver can be configured to interface to various kind of peripherals available for the transceiver, such as a speaker microphone (SMC-32/ 33/ 34) and PC interface cable (PG-4Y). Access Menu No. 31 (PC) and select "ON" or "OFF".

SP/MIC

If you plug the speaker microphone or headset into the **SP/MIC** jack, access Menu No. 31 and select "OFF" (default). To emulate the programmable function keys using external keys (to control the transceiver), refer to the circuit diagram below.



Note 1: Voltage is developed across a 100Ω resistor on the 5 V line in the transceiver. When 2 mA flows, approximately 4.8 V is developed.

Note 2: A 10 μF capacitor is not required in the following cases:

- When other equipment has DC blocking capacitors.
 - When a 2-terminal electret condenser microphone is used.
-

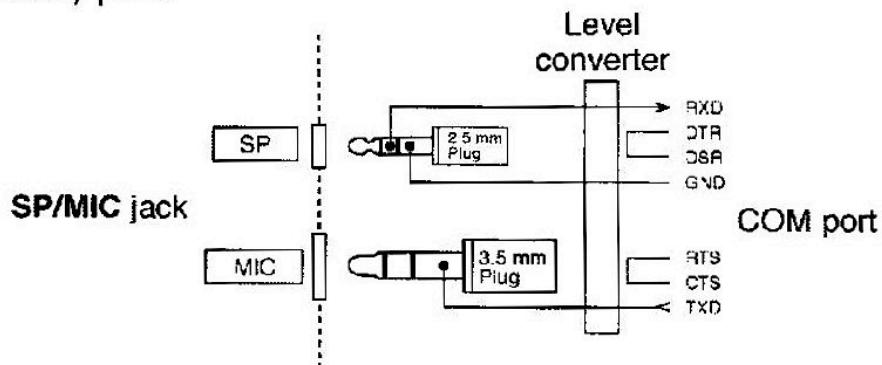
PC

To connect the transceiver to a PC in order to manage the memory channels in the transceiver, use the PG-4Y PC interface cable. You will also need the supported software to manage the memory channel contents of the transceiver. To download the software, access the following URL:

<http://www.kenwood.com/i/products/info/amateur.htm>.

To use the software, access Menu No. 31 and select "ON" {page 107}.

For your reference, the following diagram shows how the transceiver communicates to the PC using a serial (COM) port.



Note: Contact an authorized **KENWOOD** dealer for the PG-4Y, PC Interface cable availability.

■ Using the PG-4Y PC Interface Cable

Use the PG-4Y PC interface cable to connect between the transceiver and PC. Plug the Speaker/Microphone connector to the **SP/MIC** jack and DB-9 connector to one of the COM (serial) ports on your PC.

